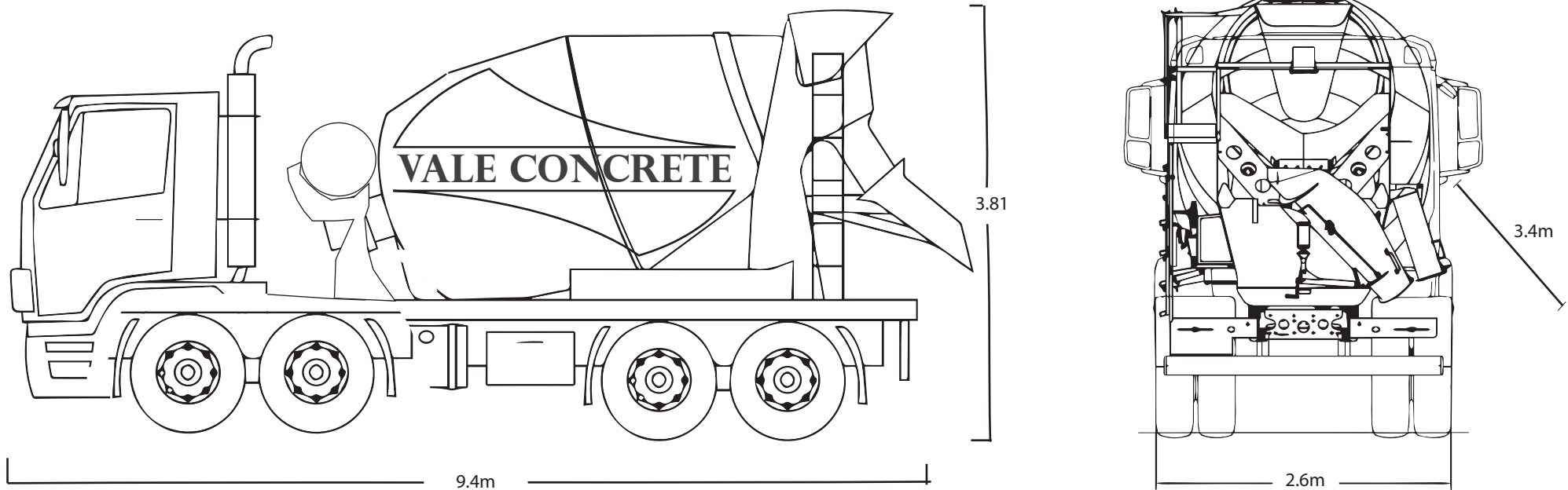


## MERCEDES AXOR 8W Dimensions

Weight - 32 tonne

Capacity - 8m<sup>3</sup>



**VALE CONCRETE**

## VALE CONCRETE LIMITED

📍 Southfields Business Park, Harby Road, Langar, Nottinghamshire. NG13 9HY

☎ 01949 861412 | 07948 237333

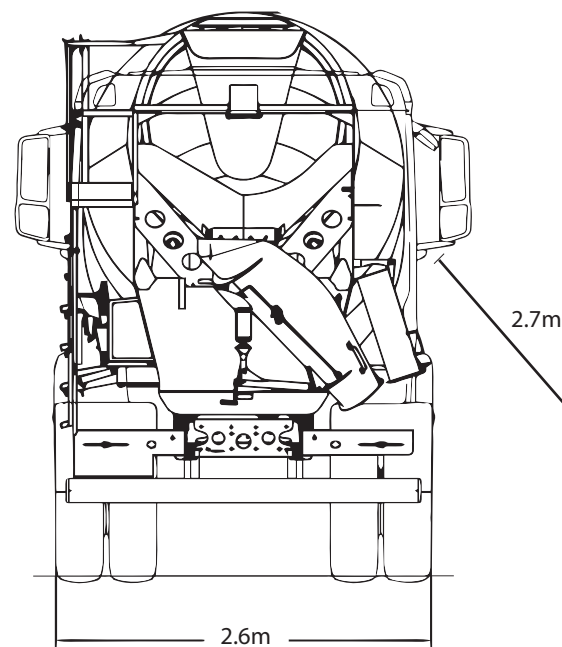
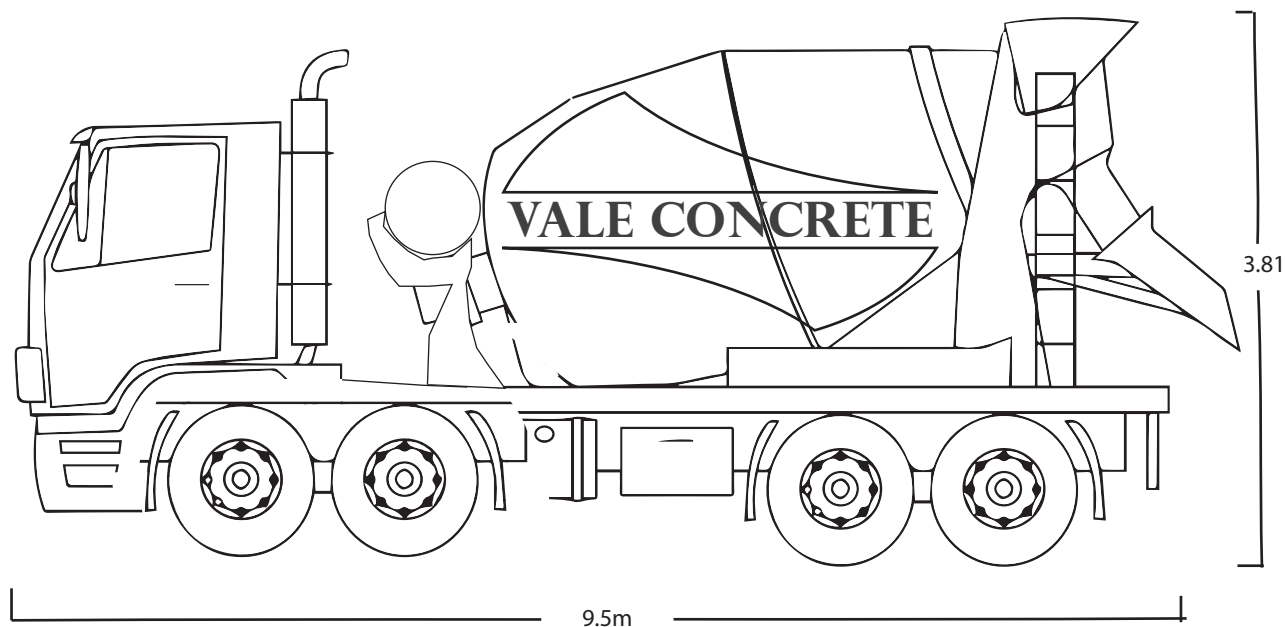
✉ info@valeconcrete.co.uk | accounts@valeconcrete.co.uk

🖱 [www.valeconcrete.co.uk](http://www.valeconcrete.co.uk)

## VOLVO FM 8W Dimensions

Weight - 32 tonne

Capacity - 8m<sup>3</sup>



**VALE CONCRETE**

## VALE CONCRETE LIMITED

📍 Southfields Business Park, Harby Road, Langar, Nottinghamshire. NG13 9HY

☎ 01949 861412 | 07948 237333

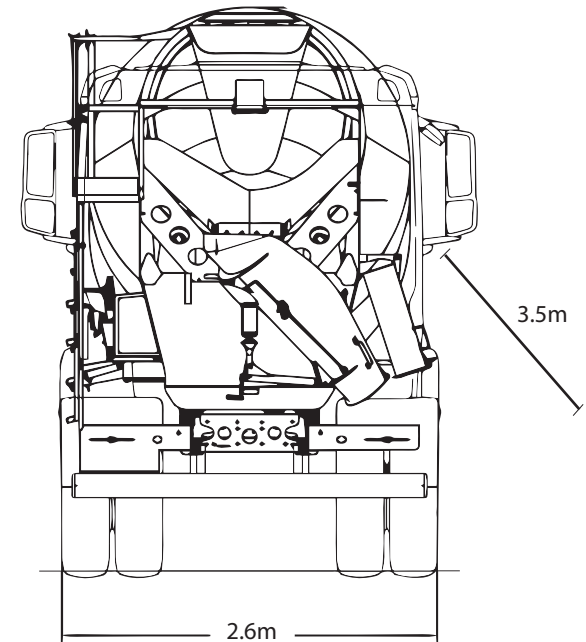
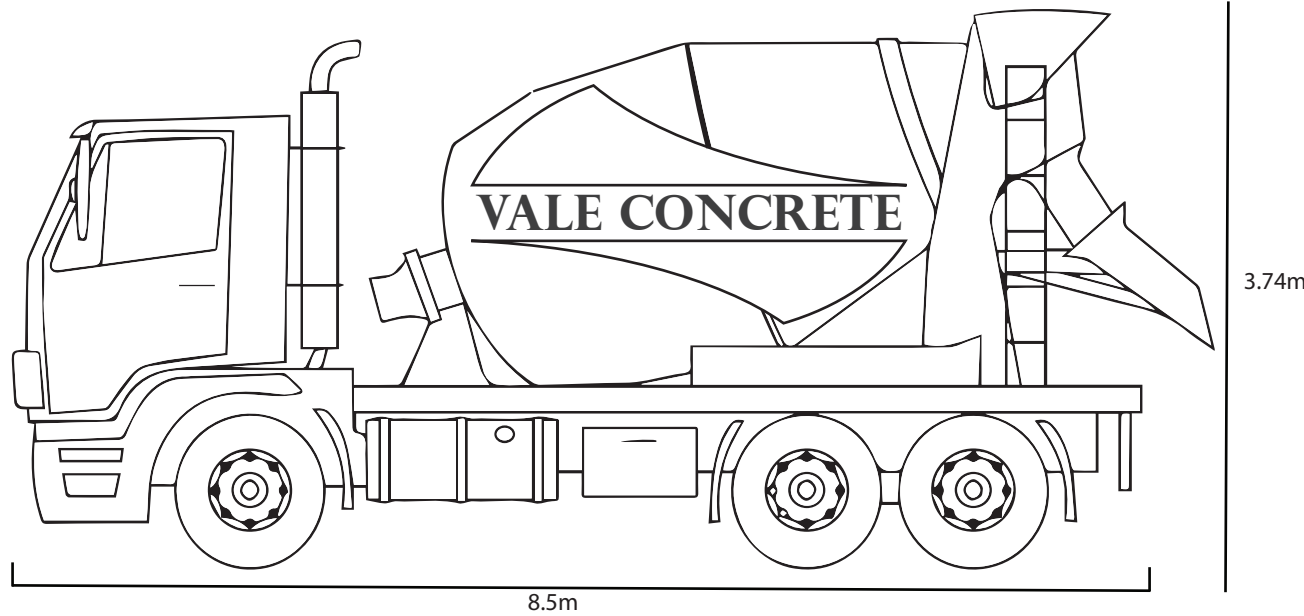
✉ info@valeconcrete.co.uk | accounts@valeconcrete.co.uk

🖱 [www.valeconcrete.co.uk](http://www.valeconcrete.co.uk)

## DAF CF 6W Dimensions

Weight - 26 tonne

Capacity - 6m<sup>3</sup>



**VALE CONCRETE**

## VALE CONCRETE LIMITED

📍 Southfields Business Park, Harby Road, Langar, Nottinghamshire. NG13 9HY

☎ 01949 861412 | 07948 237333

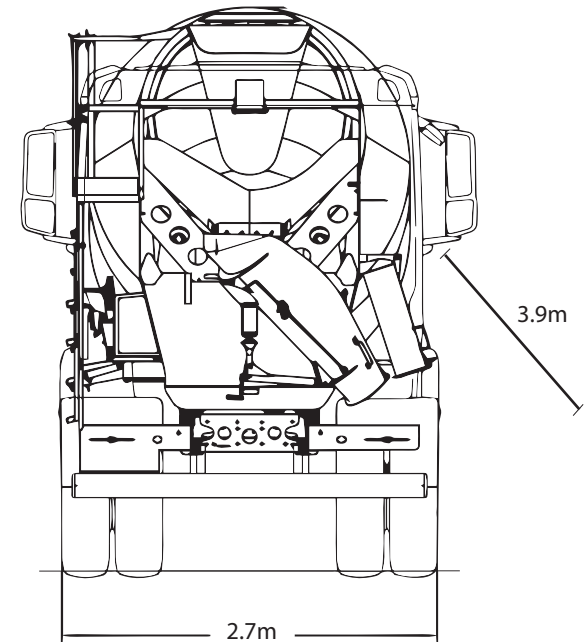
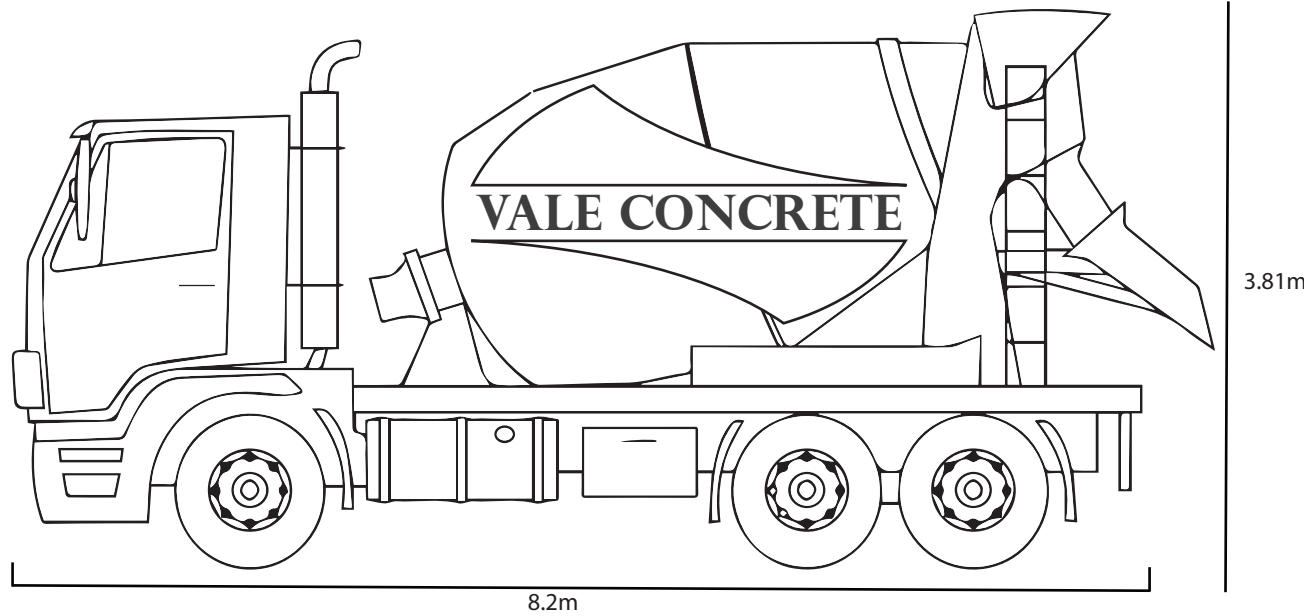
✉ info@valeconcrete.co.uk | accounts@valeconcrete.co.uk

🖱 [www.valeconcrete.co.uk](http://www.valeconcrete.co.uk)

## VOLVO FE 6W Dimensions

Weight - 26 tonne

Capacity - 6m<sup>3</sup>



**VALE CONCRETE**

## VALE CONCRETE LIMITED

📍 Southfields Business Park, Harby Road, Langar, Nottinghamshire. NG13 9HY

☎ 01949 861412 | 07948 237333

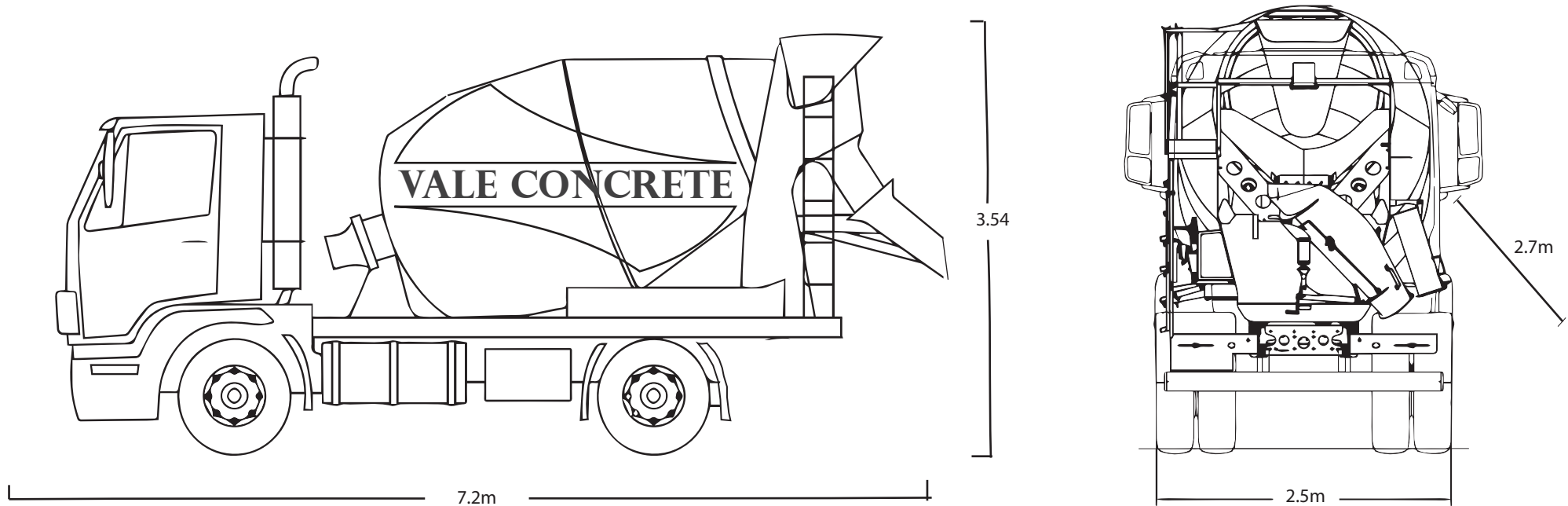
✉ info@valeconcrete.co.uk | accounts@valeconcrete.co.uk

🖱 [www.valeconcrete.co.uk](http://www.valeconcrete.co.uk)

## MERCEDES AROX 4W Dimensions

Weight - 18 tonne

Capacity - 4m<sup>3</sup>



**VALE CONCRETE**

## VALE CONCRETE LIMITED

📍 Southfields Business Park, Harby Road, Langar, Nottinghamshire. NG13 9HY

☎ 01949 861412 | 07948 237333

✉ info@valeconcrete.co.uk | accounts@valeconcrete.co.uk

🖱 [www.valeconcrete.co.uk](http://www.valeconcrete.co.uk)